



#### General

- ▶ The hybrid cable can be delivered preassembled for easy connection of PowerDRIVE positioning drives with PowerDRIVE-Box
- ▶ M23 hybrid connector with integrated bus element for power supply and bus communication of PowerDRIVE
- ▶ Easy electrical disconnection of positioning drives for maintenance and service work by means of quick action coupling

#### Features

- ▶ High electromagnetic compatibility (EMC housing screen)
- ▶ Current carrying capacity according to DIN EN 60512

#### Technical data

Technical data - coupling / plug	
Rated voltage	max. 30 V AC / DC
Current carrying capacity	according to DIN EN 60512
Housing material coupling / plug	Chemical nickel (other versions upon request)
Material of union nut	Chemical nickel
Ambient temperature	-20 °C to +130 °C
Protection class <sup>(1)</sup>	IP 66 / IP 67
Mating cycles	> 500
Vibration resistance	≤ 200 m/s <sup>2</sup>
Technical data –hybrid cable	
Jacket material	PUR, black
Cable properties	screened, drag chain-suitable
Cable diameter (d)	9.5 mm
Bending radius	permanently flexible, 10 x d
Peak operating voltage	max. 350 V CAN bus max. 30 V DC (control system / motor)
Temperature range	-40 °C ... +80 °C

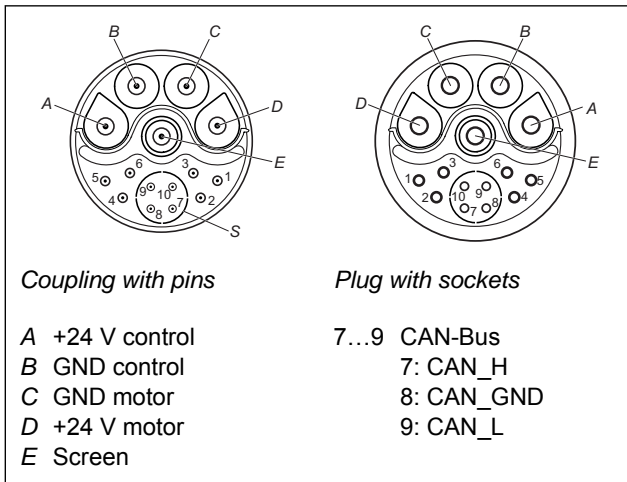
<sup>(1)</sup> in bolted state, according to DIN EN 60529 / DIN 40050

# Description

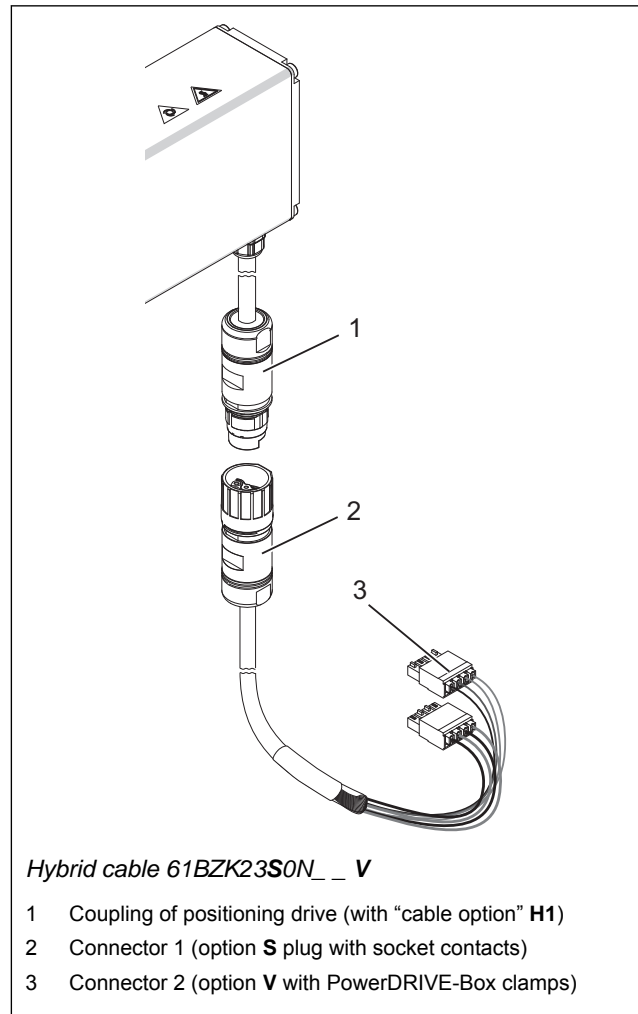
## Type code

<b>61BZK</b>	<b>Connector type</b>	<b>23</b> Connector size M23	
	<b>Connector 1</b>	<b>L</b> Flying lead <b>S</b> Plug with socket contacts (live parts, going to positioning drive)	
	<b>Connector shape</b>	<b>0</b> straight (other versions upon request)	
	<b>Material (connector)</b>	<b>N</b> Chemical nickel (other versions upon request)	
	<b>Cable length</b>	Length in m <b>03</b> 3 m minimum length <b>20</b> 20 m maximum length	
	<b>Connector 2</b>	<b>V</b> preassembled (with PowerDRIVE box clamps attached) <b>L</b> Flying lead <b>K</b> Coupling with pin contacts	

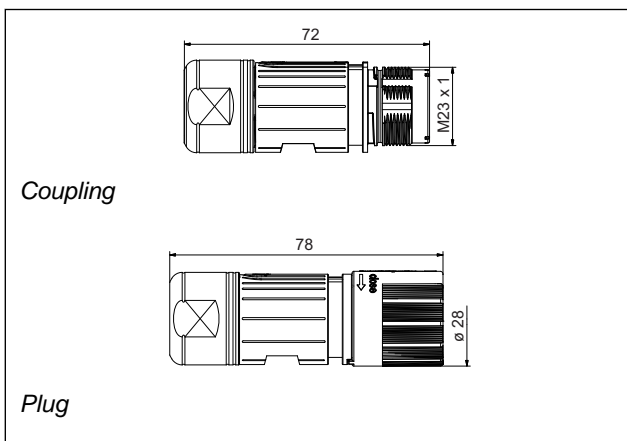
## Pin layout



## Connection example



## Dimensions – connector



Subject to technical modifications and typographical errors.  
The latest version can be downloaded at [www.lenord.de](http://www.lenord.de).

